

COBALT StaQware

HIGH AVAILABILITY CLUSTERING SOFTWARE FOR BUSINESS CRITICAL WEBSITES

Cobalt StaQware™ is a software package that provides a high availability clustering solution designed specifically for the Cobalt RaQ 3i family of server appliances. As more and more companies are moving to the Cobalt RaQ 3i to deploy business critical applications, like ecommerce sites, the need for constant uptime reliability becomes increasingly apparent. Cobalt StaQware is designed just for this need. With real-time data synchronization and automatic failover combined with an intuitive browser based interface, Cobalt StaQware makes the realization of 99.99% uptime both affordable and easy to deploy.

Cobalt StaQware, implemented on a pair of identical RaQ 3i server appliances, is designed to protect customers against hardware or software failure. The high availability cluster consists of an active RaQ and a standby RaQ. The active server is the main production server that services the incoming requests; the standby RaQ monitors the active RaQ and synchronizes it in real time. In the event of a system failure on the active server, the standby is prepared to take on all of the services so that the site experiences little to no downtime.

Benefits:

Significantly Improved Reliability

When your business is on the line, you want to make sure that you have the most reliable solution available on the market. Cobalt StaQware is the ideal solution when you are hosting business critical websites or applications on your Cobalt RaQ 3i.

Features to keep your presence online include:

- Up to 99.99% uptime
- Real time content replication
- Automatic failure detection and rollover
- Full data and hardware redundancy
- Protection from any type of hardware or software failure

Breakthrough Economics

The Cobalt high availability clustering solution provides customers with industry-leading failover capabilities at a significantly lower cost than general-purpose servers providing simple data redundancy. With StaQware™, Cobalt is resetting the economics for highly available dedicated hosting.

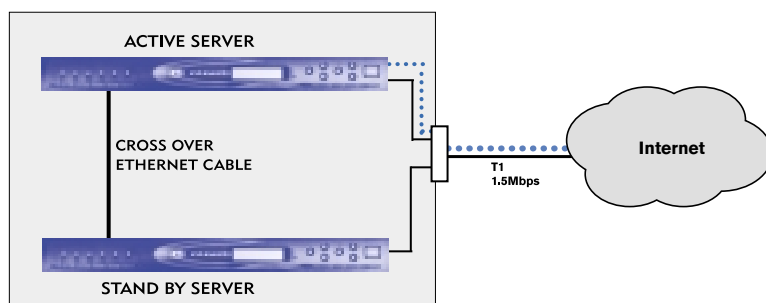
Simple Server Serviceability

Cobalt StaQware enables customers to service their server installations easily without bringing their site offline. With planned failover functionality, an active system can easily be taken offline while keeping the site online. With a push of a button, the active server can transfer its control to the standby and safely be removed for an upgrade or regular maintenance.

Industry-Leading Ease of Use

Unique to Cobalt products is the integration of application and system functions into a unified, easy-to-use UI (user interface). This valuable software layer enables rapid deployment and management of a cluster, so that you have more time to respond to new customer inquiries. The browser-based UI shields the administrator from technical complexities and minimizes the need for trained staff.

Cobalt StaQware uses the Active server's primary ethernet port for normal Internet traffic. The secondary port connects to the standby server via a crossover cable to synchronize content/data in real time. At the same time, a heartbeat is monitored between the two servers through the crossover cable. In the event of a failover, the active server is taken offline and the standby takes over all of the Internet traffic.



COBALT STAQWARE

<p>Software Features</p>	<p>Automatic, real time content replication: Cobalt StaQware includes breakthrough technology that keeps the data on the active and standby devices synchronized in real time. With real time content replication you always know that your data is safe.</p> <p>Full data and hardware redundancy: With full data and hardware redundancy you know that you are always protected. In the event that any part of the active server experiences difficulty, the standby becomes active and takes over all of the incoming Internet traffic – keeping your business critical site online.</p> <p>Automatic failure detection and rollover: A heartbeat monitor continuously checks the status of the server installation. In the event that the active server experiences abnormalities in its hardware or software, it is immediately taken offline and replaced by the standby. An email/page is then sent to the administrator to alert of the failover.</p> <p>Browser based setup and administration: With simple setup and management through the GUI, Cobalt StaQware is one of the easiest clustering solutions on the market. Users have full control and cluster status through the browser based user interface.</p>										
<p>Hardware Requirements</p>	<p>StaQware requires 2 Cobalt RaQ 3i Server Appliances with identical hard drive configurations. (*) Denotes compatible configuration.</p> <table border="0"> <thead> <tr> <th>Part Number</th> <th>Product Configuration</th> </tr> </thead> <tbody> <tr> <td>*R39 6C0 GIU</td> <td>RaQ 3i with 64MB DRAM, 13 GB IDE disk, dual ethernet, SCSI, PCI slot</td> </tr> <tr> <td>*R39 CC0 GIU</td> <td>RaQ 3i with 128MB DRAM, 13 GB IDE disk, dual ethernet, SCSI, PCI slot</td> </tr> <tr> <td>*R39 GE2 GIU</td> <td>RaQ 3i with 256MB DRAM, 15.2 GB IDE disk, dual ethernet, SCSI, PCI slot</td> </tr> <tr> <td>*R39 HJ4 GIU</td> <td>RaQ 3i with 512MB DRAM, 20.4 GB IDE disk, dual ethernet, SCSI, PCI slot</td> </tr> </tbody> </table>	Part Number	Product Configuration	*R39 6C0 GIU	RaQ 3i with 64MB DRAM, 13 GB IDE disk, dual ethernet, SCSI, PCI slot	*R39 CC0 GIU	RaQ 3i with 128MB DRAM, 13 GB IDE disk, dual ethernet, SCSI, PCI slot	*R39 GE2 GIU	RaQ 3i with 256MB DRAM, 15.2 GB IDE disk, dual ethernet, SCSI, PCI slot	*R39 HJ4 GIU	RaQ 3i with 512MB DRAM, 20.4 GB IDE disk, dual ethernet, SCSI, PCI slot
Part Number	Product Configuration										
*R39 6C0 GIU	RaQ 3i with 64MB DRAM, 13 GB IDE disk, dual ethernet, SCSI, PCI slot										
*R39 CC0 GIU	RaQ 3i with 128MB DRAM, 13 GB IDE disk, dual ethernet, SCSI, PCI slot										
*R39 GE2 GIU	RaQ 3i with 256MB DRAM, 15.2 GB IDE disk, dual ethernet, SCSI, PCI slot										
*R39 HJ4 GIU	RaQ 3i with 512MB DRAM, 20.4 GB IDE disk, dual ethernet, SCSI, PCI slot										
<p>StaQware Part Number</p>	<table border="0"> <thead> <tr> <th>Part Number</th> <th>Product Includes</th> </tr> </thead> <tbody> <tr> <td>960-STAQ01001U</td> <td> <ul style="list-style-type: none"> • StaQware software CD • OS Restore CD for the RaQ 3i • User Manual </td> </tr> </tbody> </table>	Part Number	Product Includes	960-STAQ01001U	<ul style="list-style-type: none"> • StaQware software CD • OS Restore CD for the RaQ 3i • User Manual 						
Part Number	Product Includes										
960-STAQ01001U	<ul style="list-style-type: none"> • StaQware software CD • OS Restore CD for the RaQ 3i • User Manual 										

About Cobalt Networks

Cobalt Networks, Inc. (NASDAQ: COBT) is a developer of server appliances that enable organizations to establish an online presence easily, cost effectively, and reliably. Cobalt's product lines – the Cobalt Qube, Cobalt Cache, Cobalt RaQ and Cobalt NASRaQ – are used as Internet and Web hosting server appliances at businesses, Service Providers, and educational institutions. Cobalt's solutions are delivered through a global network of distributors, value-added resellers and ISPs. Founded in 1996, Cobalt Networks, Inc. (<http://www.cobalt.com>) is located in Mountain View, California—the heart of Silicon Valley—with international offices in Germany, Japan, the United Kingdom, and the Netherlands.

For the name of a distributor near you, contact:

Cobalt Networks, Inc.
555 Ellis Street
Mountain View, CA 94043
phone: 888.70.COBALT
phone: 1 650 623 2500
fax: 1 650 623 2501
web: www.cobalt.com
email: info@cobalt.com

Cobalt Networks, Inc.
Schipholweg 123
2316 XC Leiden
The Netherlands
phone: +31 (71) 565 7000
fax: +31 (71) 565 7010
web: www.cobalt.com
email: info-emea@cobalt.com